

# CTH3-A 560 T4 3KW ATEX Zone 2: FAN (Ex h IIB T3 Gc) + MOTOR (Ex ec IIC T3 Gc) (279560106AXN )

## GENERAL DATA



ROOF FAN, AL COWL ATEX

### MANUFACTURING FEATURES

- Roof cowl made of aluminium
- Structure, roof base support and bird protection guard made of galvanised steel.
- High efficiency backward impeller with self-cleaning system of steel.
- ATEX standard asynchronous motor. ATEX certified according to the zone. IP55 protection and class F insulation. Manufactured with standard voltages: 230/400V 50Hz for three phase motors up to 4kW and 400/690V 50Hz for higher powers.

### APPLICATIONS

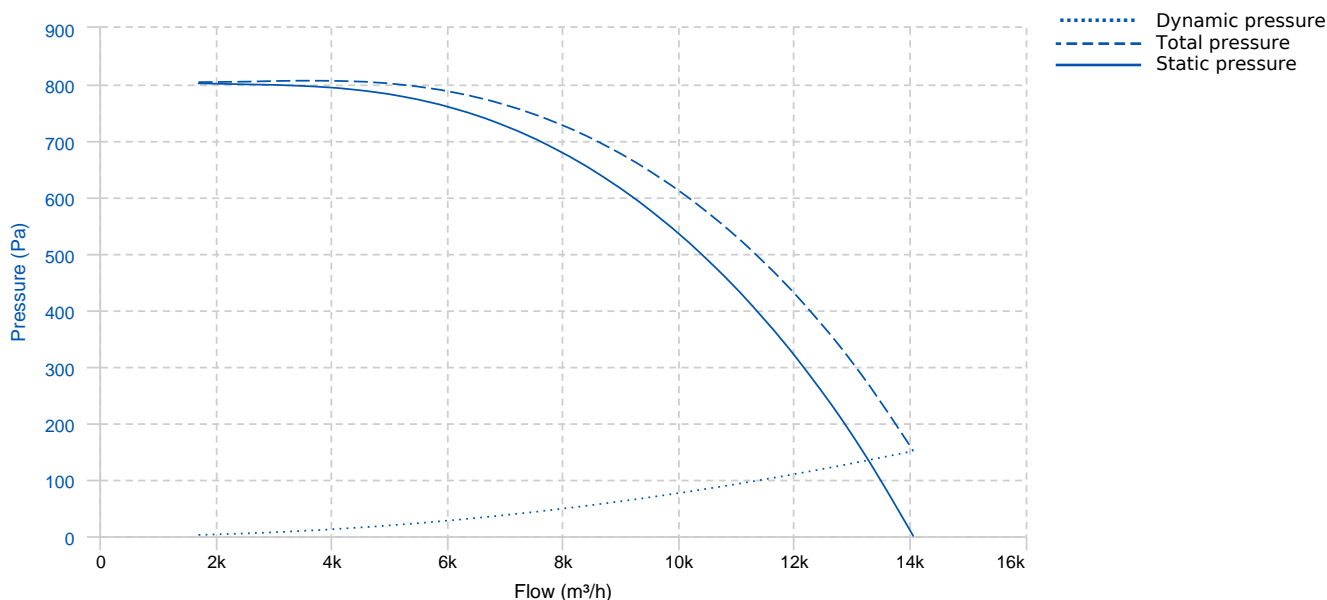
Ventilation in indoor environments classified as ATEX. Specially designed for roof installation, they are suitable for:

- Smoke extraction.
- Smoke emergency exhaust with motor outside the hazardous area.
- Air renewal in buildings and industries.
- Industrial and professional kitchen hoods.
- Working temperature: ambient from -20°C to 40°C, transported air according to the ATEX classification.

### UNDER REQUEST

- 60Hz and special voltages.

## PERFORMANCE CURVE



## TECHNICAL DATA

### Fan

RPM	1420	Approx. weight	110 kg	Max. Flow	14060 m³/h
-----	------	----------------	--------	-----------	------------

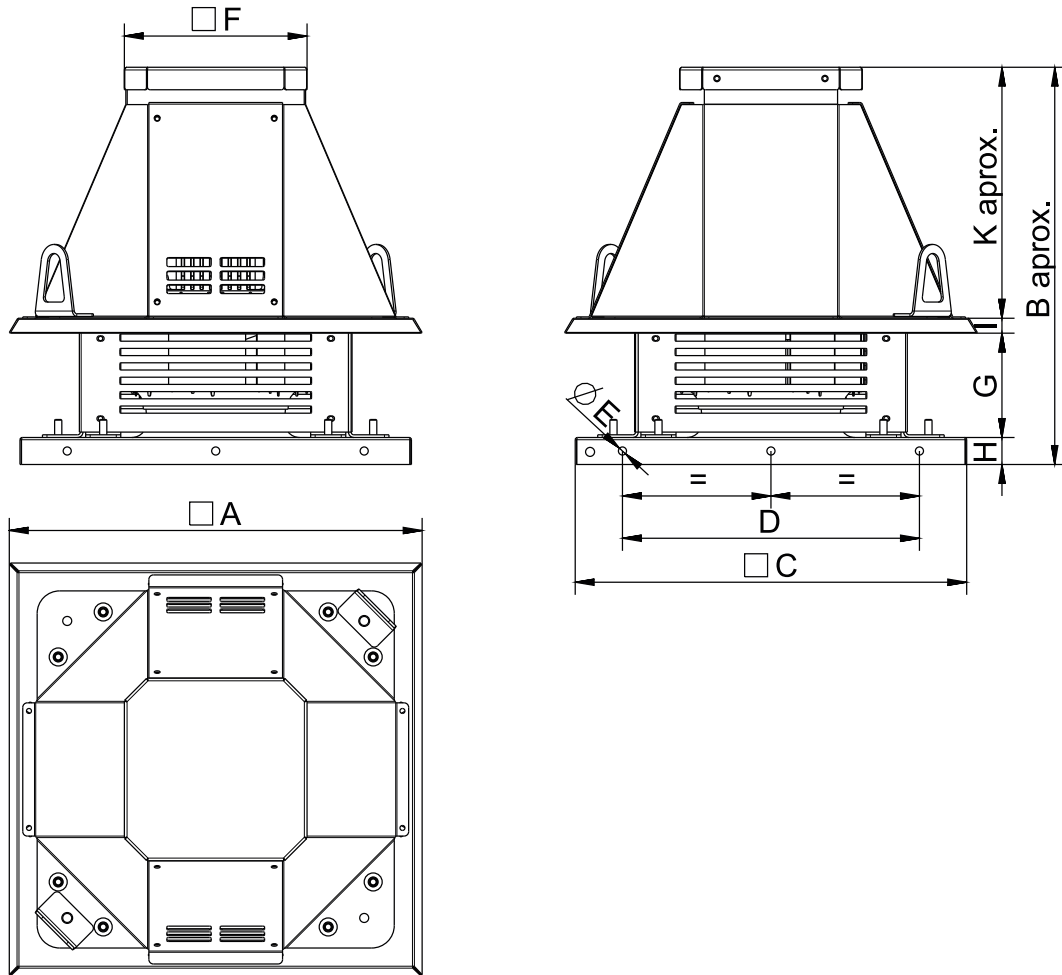
### Motor

Power	3 kW	RPM	1420	I max. (400V)	6,8 A	Size	100L
-------	------	-----	------	---------------	-------	------	------

## Motor

Approx. weight	23 kg	Efficiency (%)	83 %	FP	0.74
----------------	-------	----------------	------	----	------

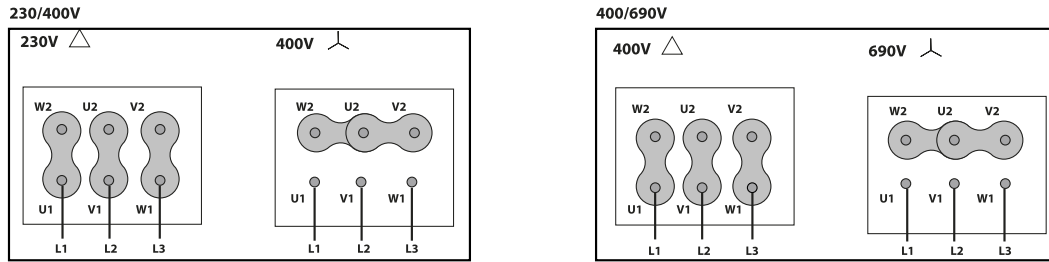
## DIMENSIONS



## Dimensions (mm)

A	939,6	B aprox	880,65	C	939	D	710	E	9
F	353	G	336,5	H	50	I	31	K aprox	463,15

## WIRING DIAGRAM



## ACCESSORIES



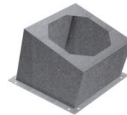
**SAFETY SWITCH**  
**INT 25 3P A**  
**REF: INT253PA**



**ATEX SWITCH**  
**INT 16 ATEX**  
**REF: 510200016X**

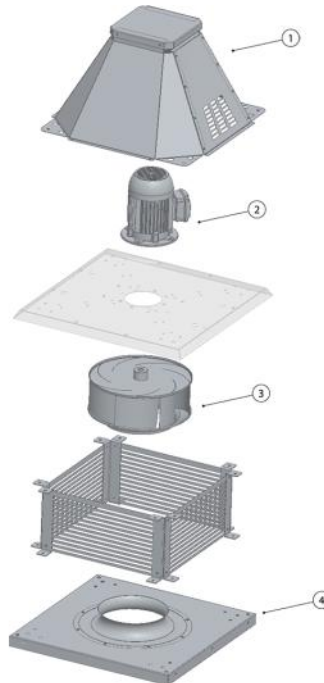


**FREQUENCY SPEED CONTROLLER**  
**SFC 400 III 8A \***  
**REF: SFC400III8**



**INCLINED ROOF FAN SUPPORT**  
**BTI 915**  
**REF: A-50870915XX**

## SPARE PARTS



	Code	Model	Qty
1	R-279508491	ROOF COWL CTH3-A 500-560-630	x1
3	R-279569382	IMPELLER THRE R63B1 560X160x28 RD	x1